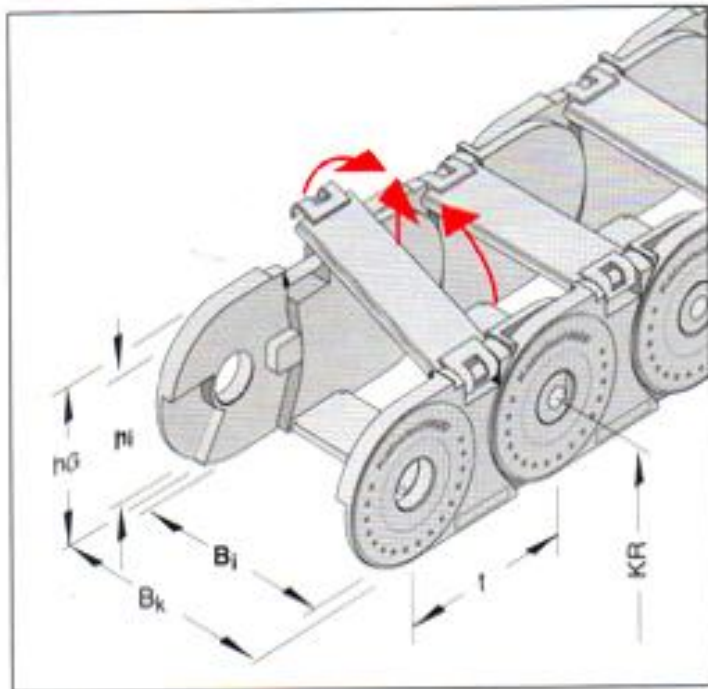


Carrier Cross Sections and Bend Radii for Types 0345 - 0455 - 0555 - 0665



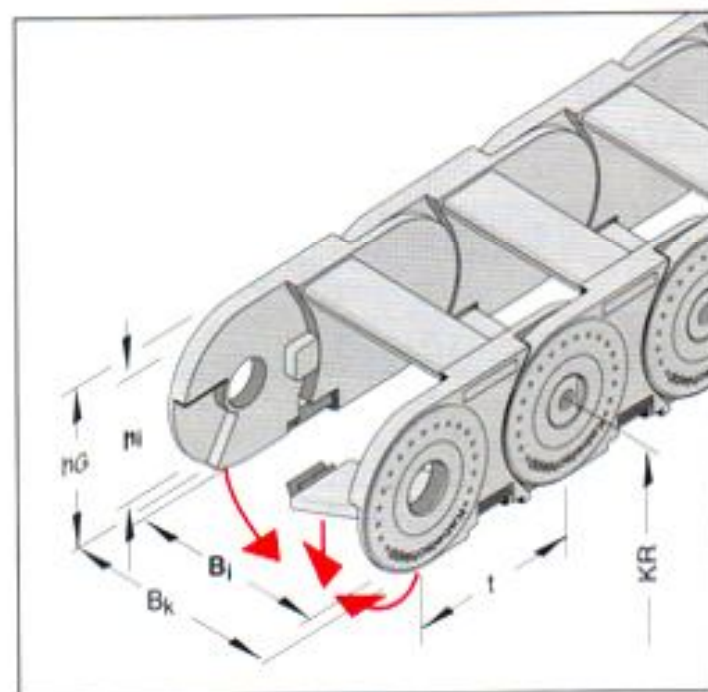
Cable Carriers - 030 Design with brackets which can be opened and released on both sides - **on the outside**

The connecting brackets can be opened quickly and easily using a screwdriver.



Cable Carriers - 035* Design with brackets which can be opened and released on both sides - **on the outside** and locking mechanism (not illustrated)

* Locking mechanism not available for Type 0250.



Cable Carriers - 040 Design with brackets which can be opened and released on both sides - **on the inside**

The connecting brackets can be opened quickly and easily using a screwdriver.



Cable Carriers - 045 Design with brackets which can be opened and released on both sides - **on the inside** and locking mechanism (not illustrated)

Bend Radii for Designs 030/035 and 040/045

Dimensions in mm

Type	Available Bend Radii KR							
	38	50	75	100	125	150	--	--
0345	38	50	75	100	125	150	--	--
0455	52	65	95	125	150	180	200	225
0555	63	80	100	125	160	200	230	--
0665	75	100	120	140	200	250	300	--

Technical Data/Weights for Designs 030/035 and 040/045

Dimensions in mm/Weights in kg/m

Type	t	hi	hG	Available Widths Bi								Bk	
				Weight									
0345	34.5	20	28	15	20	25	38	50	65	90	--	--	Bi + 13
				0.43	0.45	0.46	0.50	0.53	0.57	0.71	--	--	
0455	45.5	26	36	25	38	58	78	103	130	--	--	--	Bi + 18
				0.81	0.88	0.95	1.02	1.15	1.27	--	--	--	
0555	55.5	38	50	50	75	100	125	150	--	--	--	--	Bi + 22
				1.47	1.60	1.72	1.86	1.98	--	--	--	--	
0665	66.5	44	60	50	75	100	125	150	175	200	225	250	Bi + 27
				2.06	2.22	2.37	2.53	2.68	2.85	3.00	3.16	3.31	

Divider Systems - see page 26